

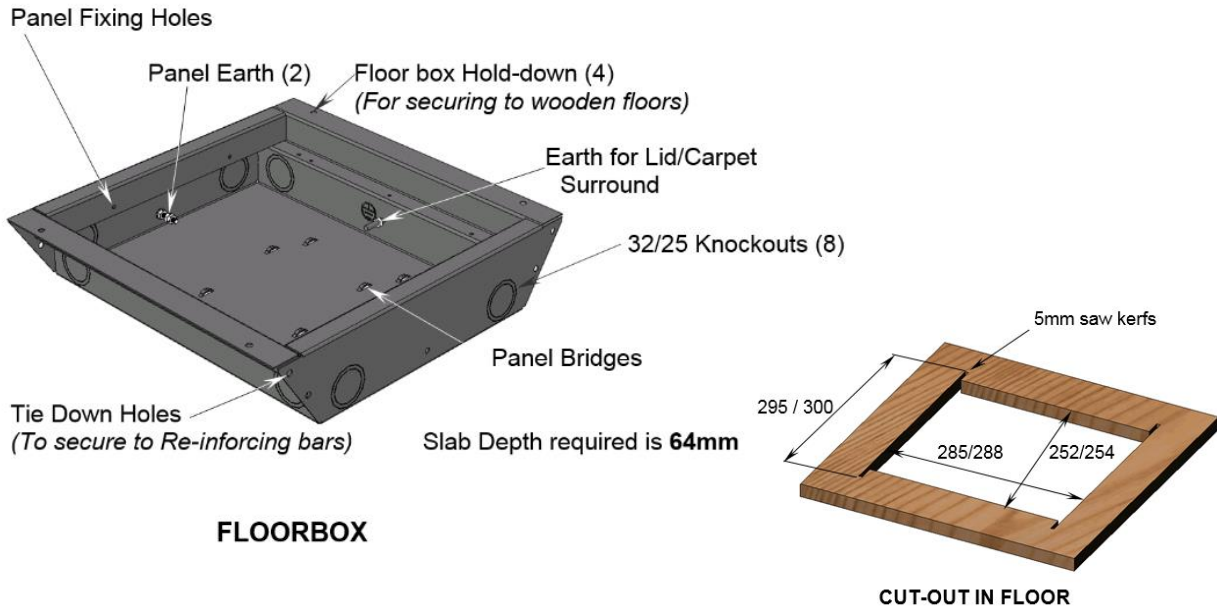
modempak

16 Hugo Johnston Drive, Penrose Auckland
Ph. (09) 526 1880 Fax. (09) 580 0606

Installation Instructions

Modempak CAT6 Floor Box

Part Code: 14420006



Electrical

Installations should comply with the latest revisions of the *AS/NZS3000* code of practice or the relevant electrical code of practice for the country of installation. These instructions shall not supersede or replace the code of practice. When mains power is connected to or routed through the floor box, the floor box and power panels must be earthed.

The preferred method of infeed of electrical cabling is via plastic conduit. The conduit should pass through the 32/25mm diameter knock-outs in the side of the floor box and project into the floor box a sufficient depth to protect the cables from sharp edges.

Should conduit not be used, an alternative means of protection such as a grommet (Not supplied) should be fitted to the knockout hole.

If the installer does not wish to use either conduit or grommets and the relevant code of practice permits, then care must be taken to remove any and all sharp edges or points in the knockout holes so that the cables pass through the suitably rounded hole without damage to the cable sheath.

In all cases, the installer should use the appropriate best practice methods