

OPEN HINGED PATCH FRAME - WALL MOUNTED - 19" RACKS

Part No	Width	Depth	Height	Size	Static Load Capacity
11370215	515mm	150mm	90mm	2RU	40kg max
11370415	515mm	150mm	180mm	4RU	40kg max
11370430	515mm	300mm	180mm	4RU	40kg max
11370730	515mm	300mm	315mm	7RU	40kg max
11371500	515mm	150mm	Top/Bottom Cover		20kg max
11373000	515mm	300mm	Top/Bottom Cover		20kg max

Standard Pack Size
Box of One (1) - Each

Description

Open Patch Frame - Wall Mounted
Designed to fit most 19" Accessories
Numbered Vertical RU Equipment Mounting Rails
Hinged Swing Frame - Rear Equipment Access

Installation

EIA Soft Cable Protection Grommets (supplied)
Quick-Fit Standard Wall Spacings/Threads
Top/Bottom Cover Panels (supplied separately)

Material

2mm SPCC Cold Rolled Steel

Colour

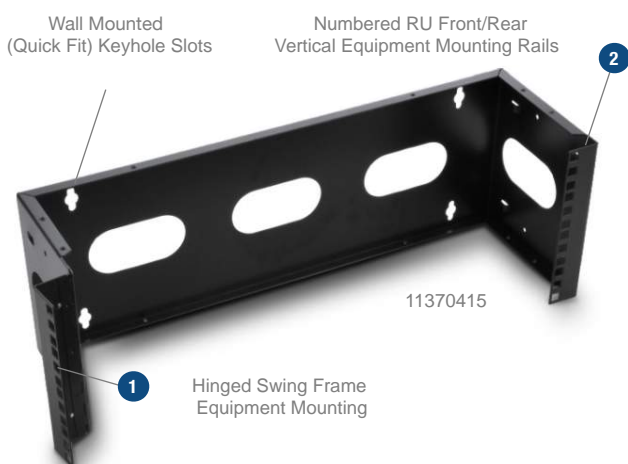
RAL9004 Matt Black



11370415
w Top/Bottom Panels (fitted)

NO	COMPONENT DESCRIPTION	QTY
1	Wall Mounted - Hinged Open Frame	1
2	Vertical (Numbered RU) Equipment Rails L/R	2
3	Top/Bottom Cover Panel (supplied separately) Pair	2

STANDARD FEATURES & INCLUSIONS



OPTIONAL ACCESSORIES AVAILABLE

11371500 - Top/Bottom Cover Panels
(supplied w fixings screws)



Horizontal or Vertical PDU
Outlets of various configurations



10/20/50 x M6 Fixing Screws
+ Cage Nuts (accessory bags)

