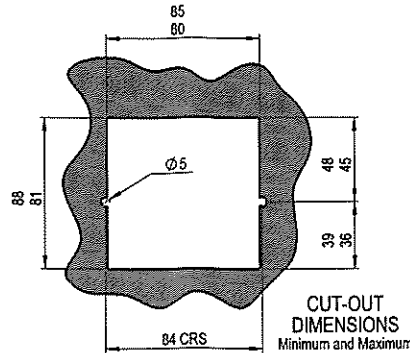


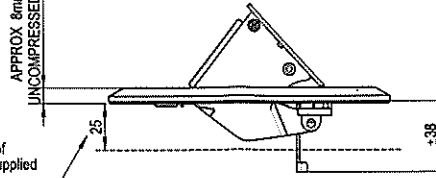
Plan View

Ø 3.8 Holes for holding down screws
84mm Centres

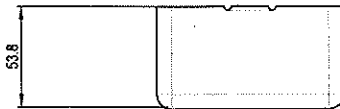


CUT-OUT DIMENSIONS
Minimum and Maximum

APPROX 8mm
UNCOMPRESSED SEAL

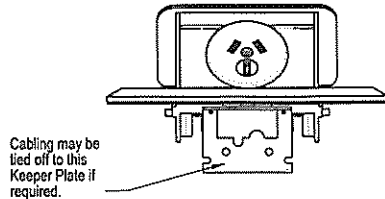


Max Thickness of material using supplied screws



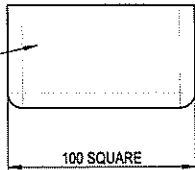
End Elevation

53.8



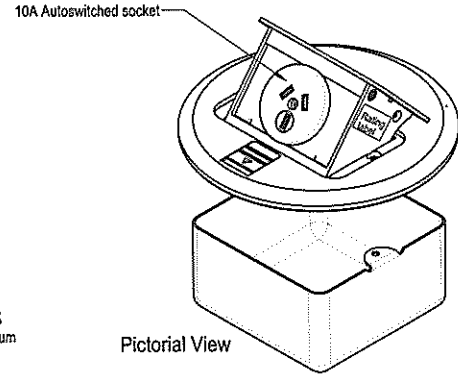
Cabling may be tied off to this Keeper Plate if required.

Backing Box (Supplied)



Front Elevation

100 SQUARE



Pictorial View

10A Autoswitched socket

Electrical.

Installations should comply with the latest revisions of the AS/NZS 3000 code of practice or the relevant electrical code of practice for the country of installation.

These instructions shall not supersede or replace the code of practice. When mains power is connected to or routed through the Outlet Box, the Outlet Box must be earthed. In all cases, the installer should use the appropriate best practice methods.

The preferred method of infeed of electrical cabling is via plastic conduit. The conduit should pass through the knock-outs in the side of the Outlet Box and project into the Outlet Box a sufficient depth to protect the cables from sharp edges.

Should conduit not be used, an alternative means of protection such as a grommet (Not supplied) should be fitted to the knockout hole.

If the installer does not wish to use either conduit or grommets and the relevant code of practice permits, then care must be taken to remove any and all sharp edges or points in the knockout hole so that the cables pass through the suitably rounded hole without damage to the cable sheath.

Connector Strip. If the Connector Strip is fitted inside the backing box, care must be taken to ensure that cables are not abraded when opening and closing the outlet box lid

IP Rating:

When correctly installed this outlet would be IP Rated 40 Closed and IP30 Open

Location

This unit is not recommended for high traffic areas.

Operation

Always unplug devices and close pop-up before moving any equipment or furniture.

Installation

When used for power, this outlet must be correctly Earthed.

Pop Up Outlet Box - 10 Amp Autoswitched Socket
Dwg 93650007-0

modempak

