

End View
(with closest stop
end cover removed)

Aluminium Trunking
Body & Cover

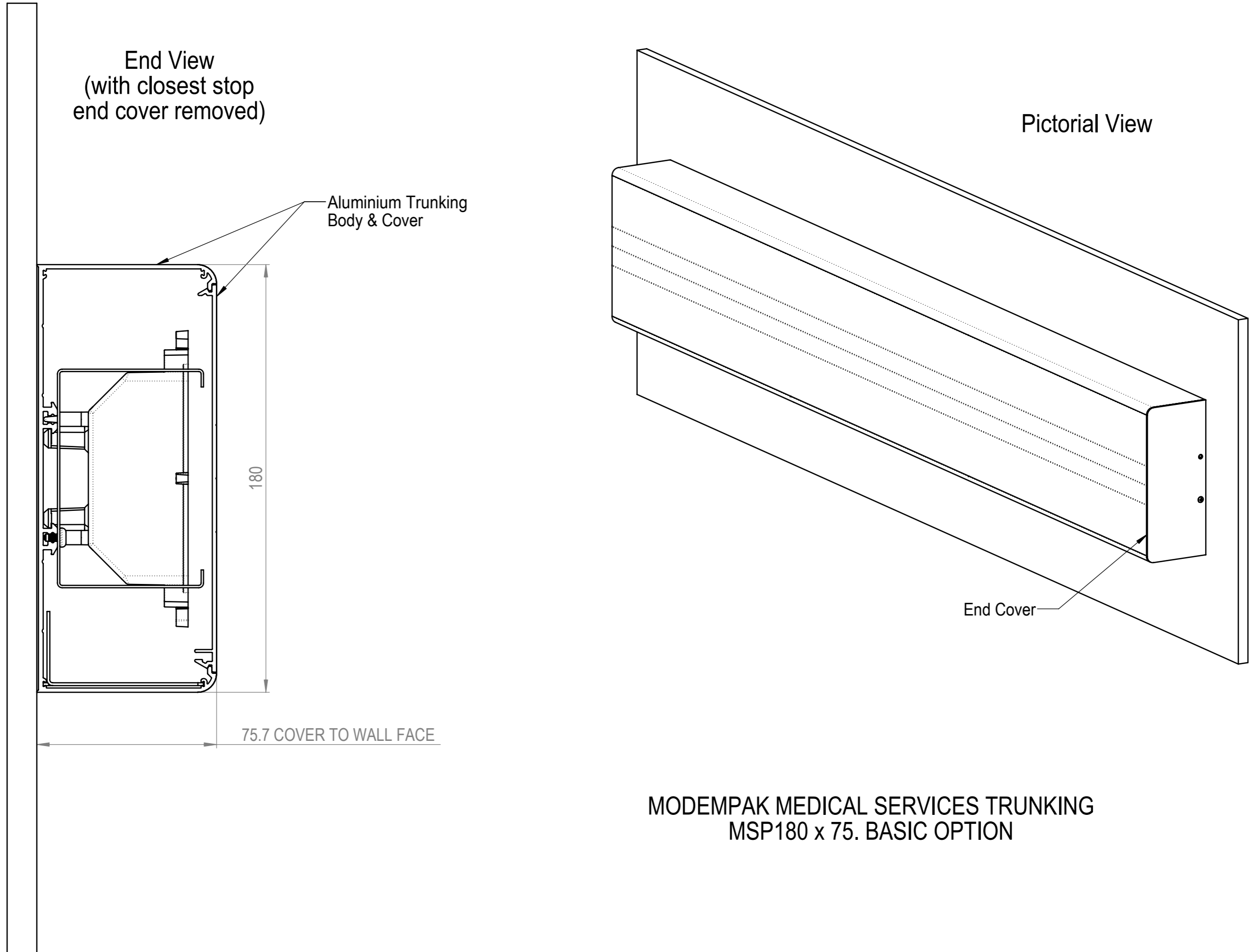
180

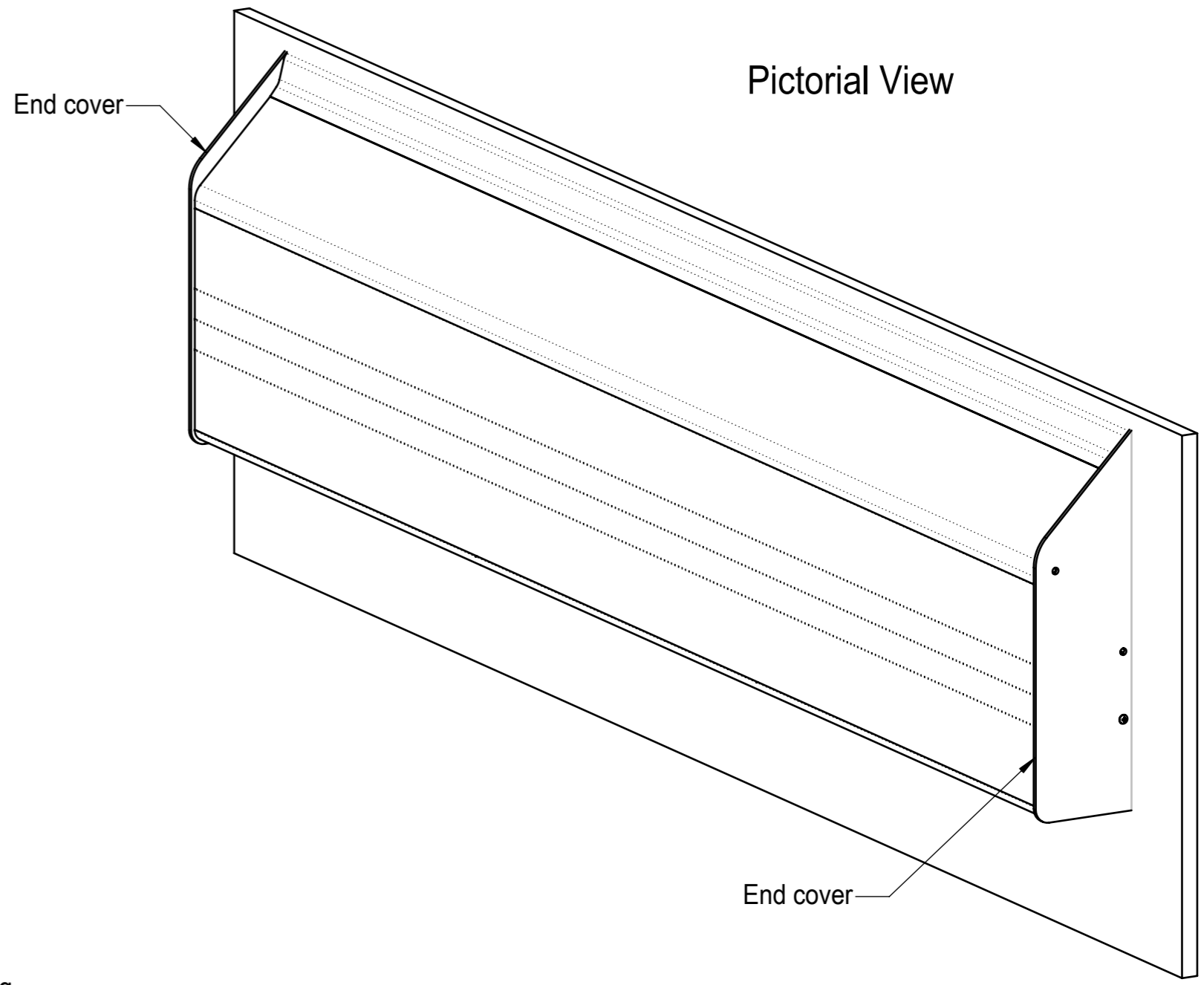
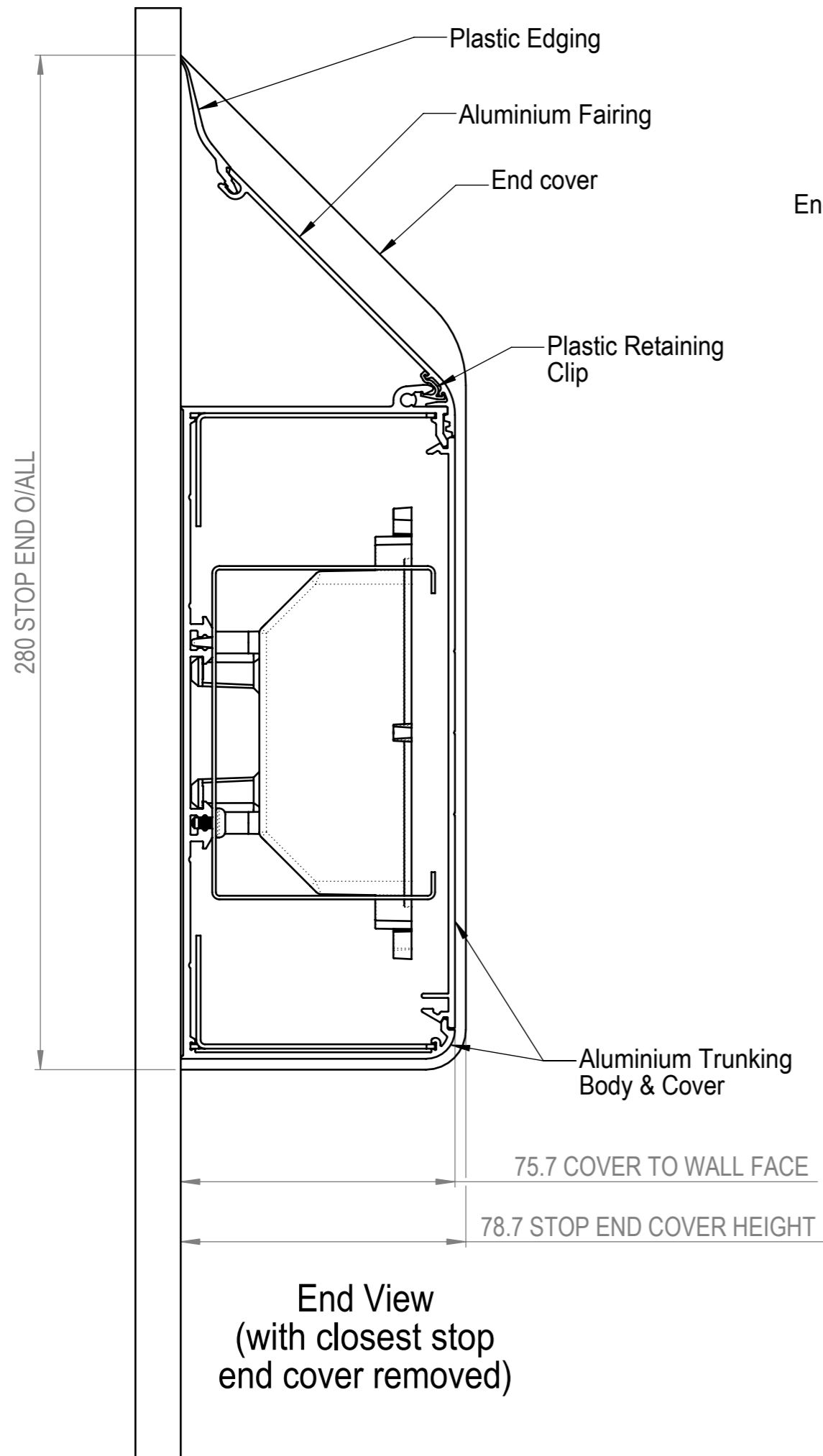
75.7 COVER TO WALL FACE

Pictorial View

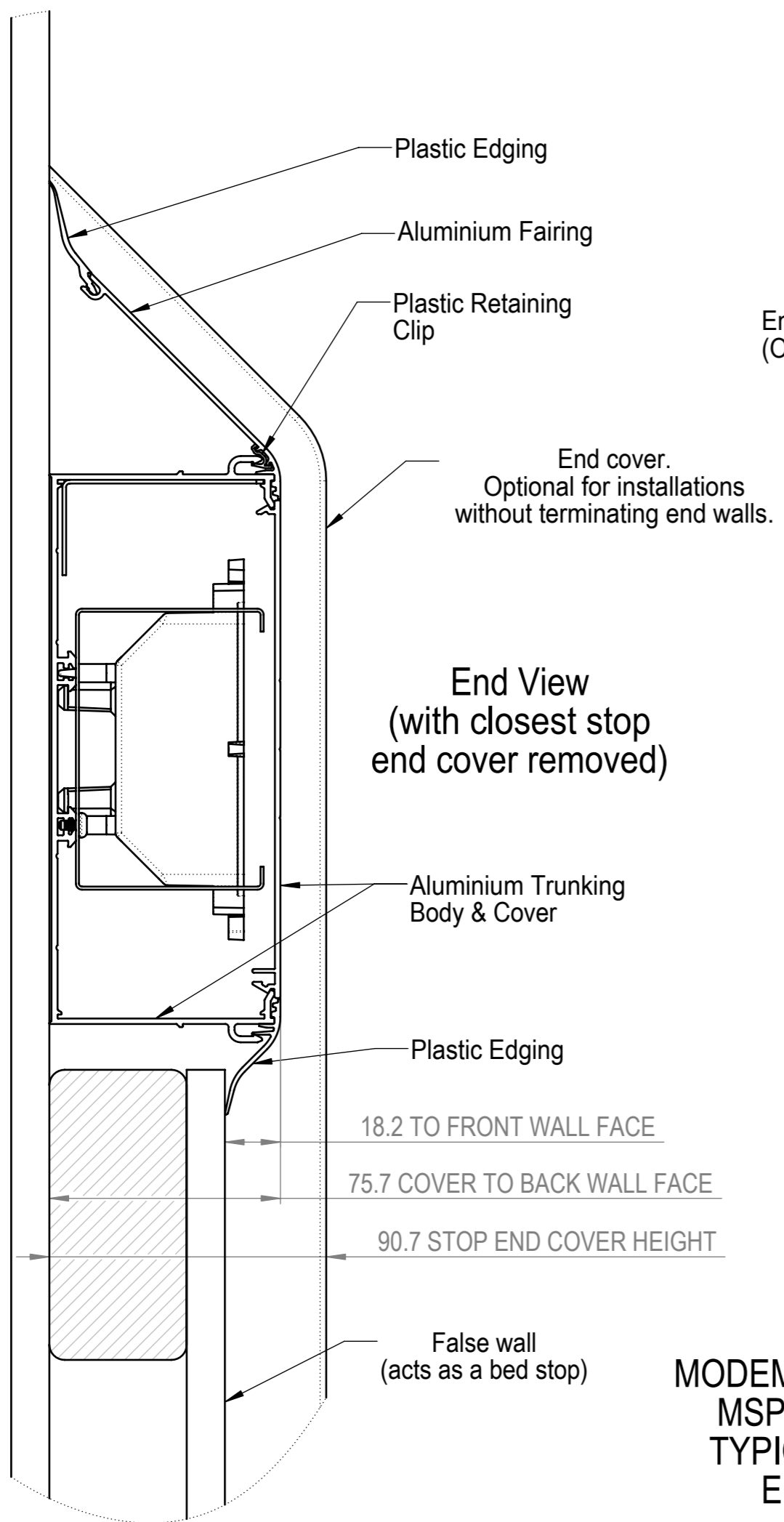
End Cover

MODEMPAK MEDICAL SERVICES TRUNKING
MSP180 x 75. BASIC OPTION



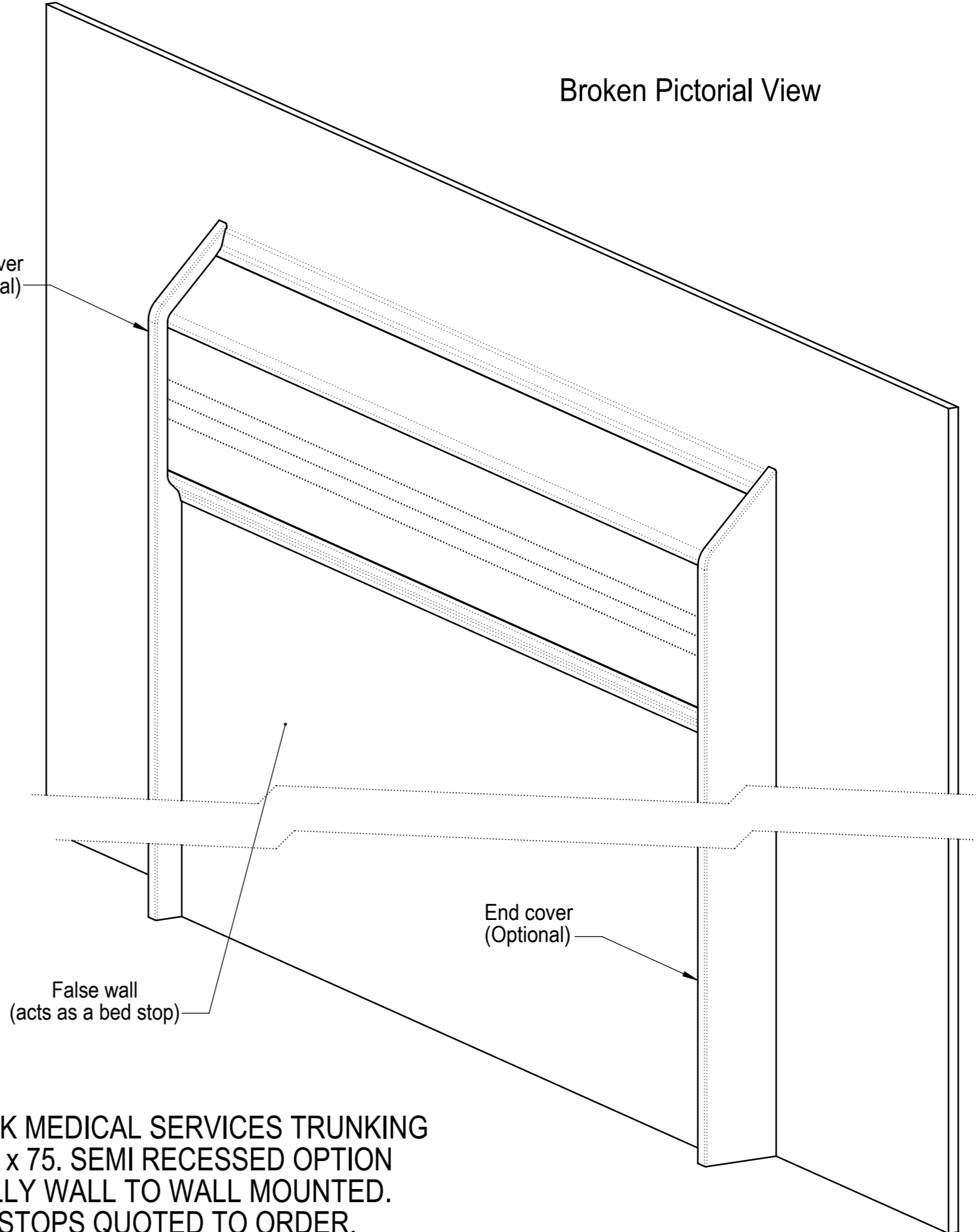


MODEMPAK MEDICAL SERVICES TRUNKING
MSP180 x 75. SINGLE FAIRING OPTION

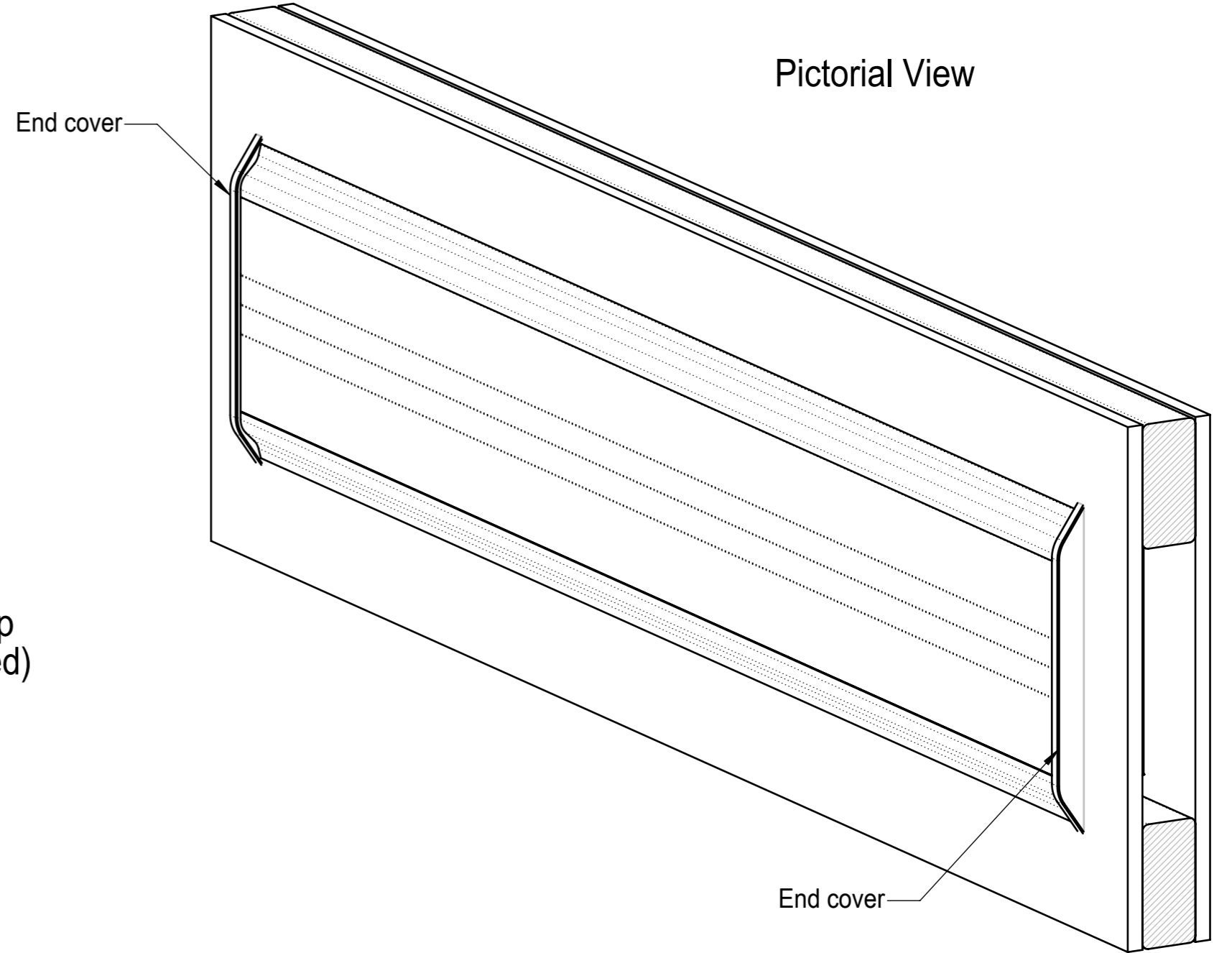
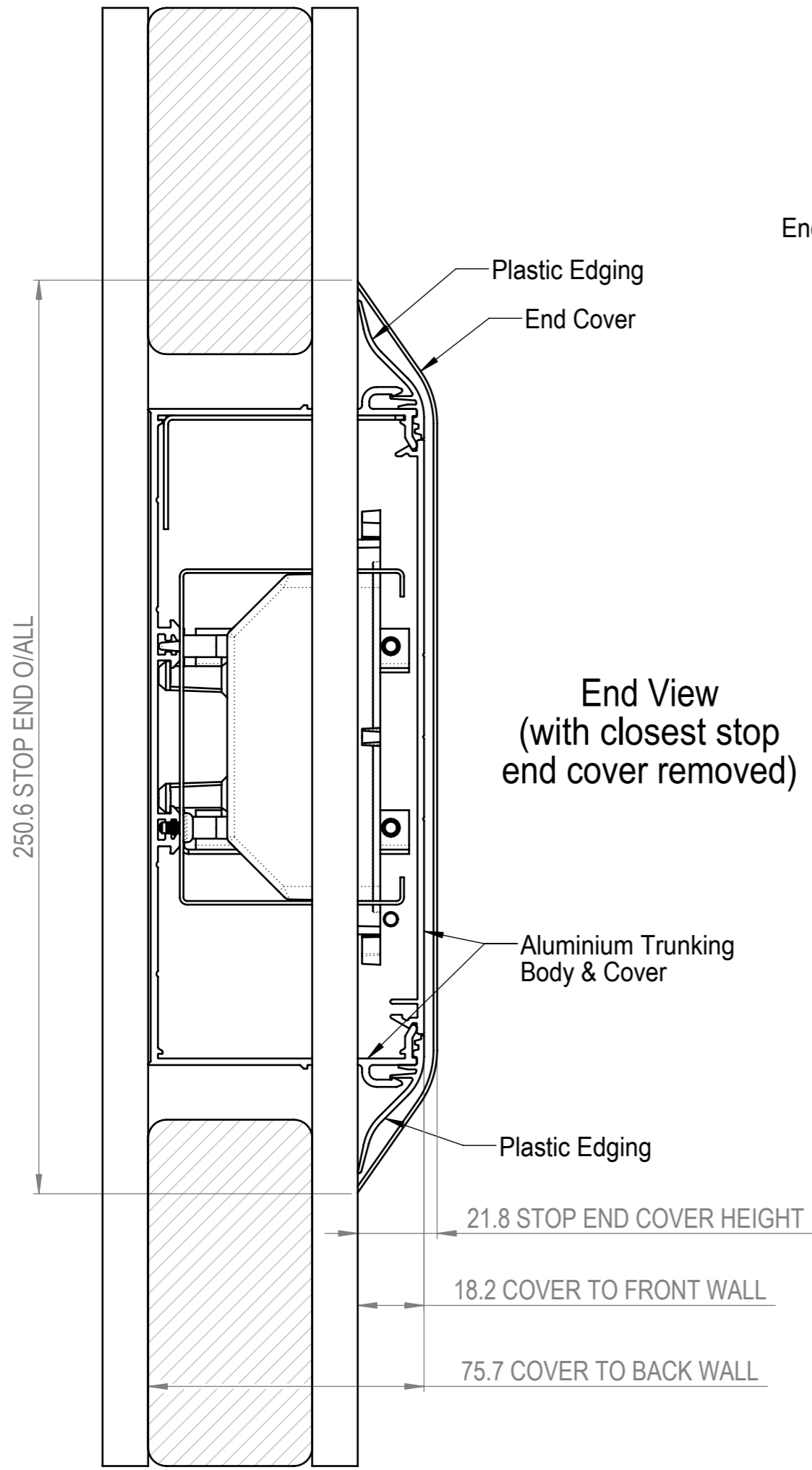


End cover (Optional)

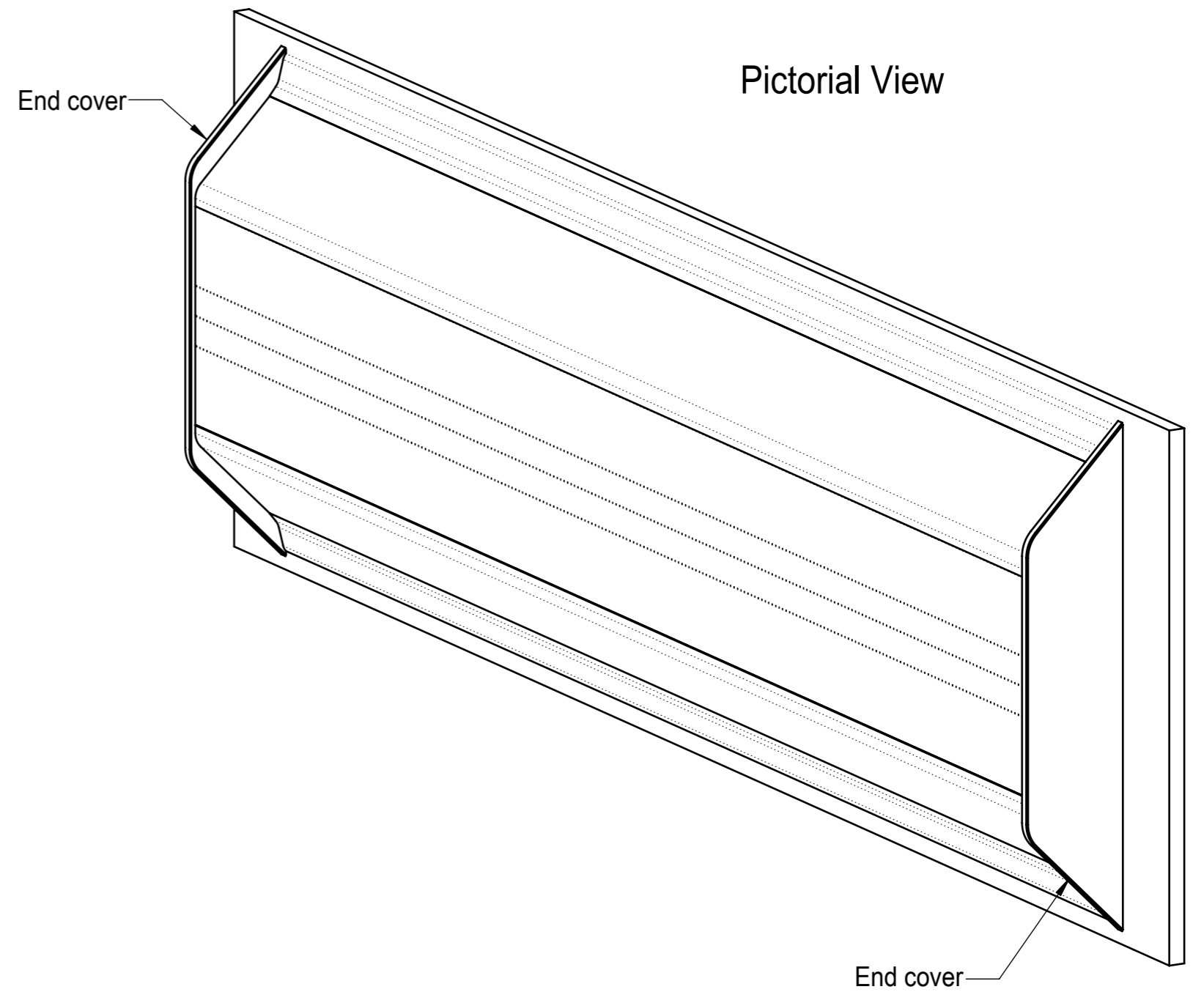
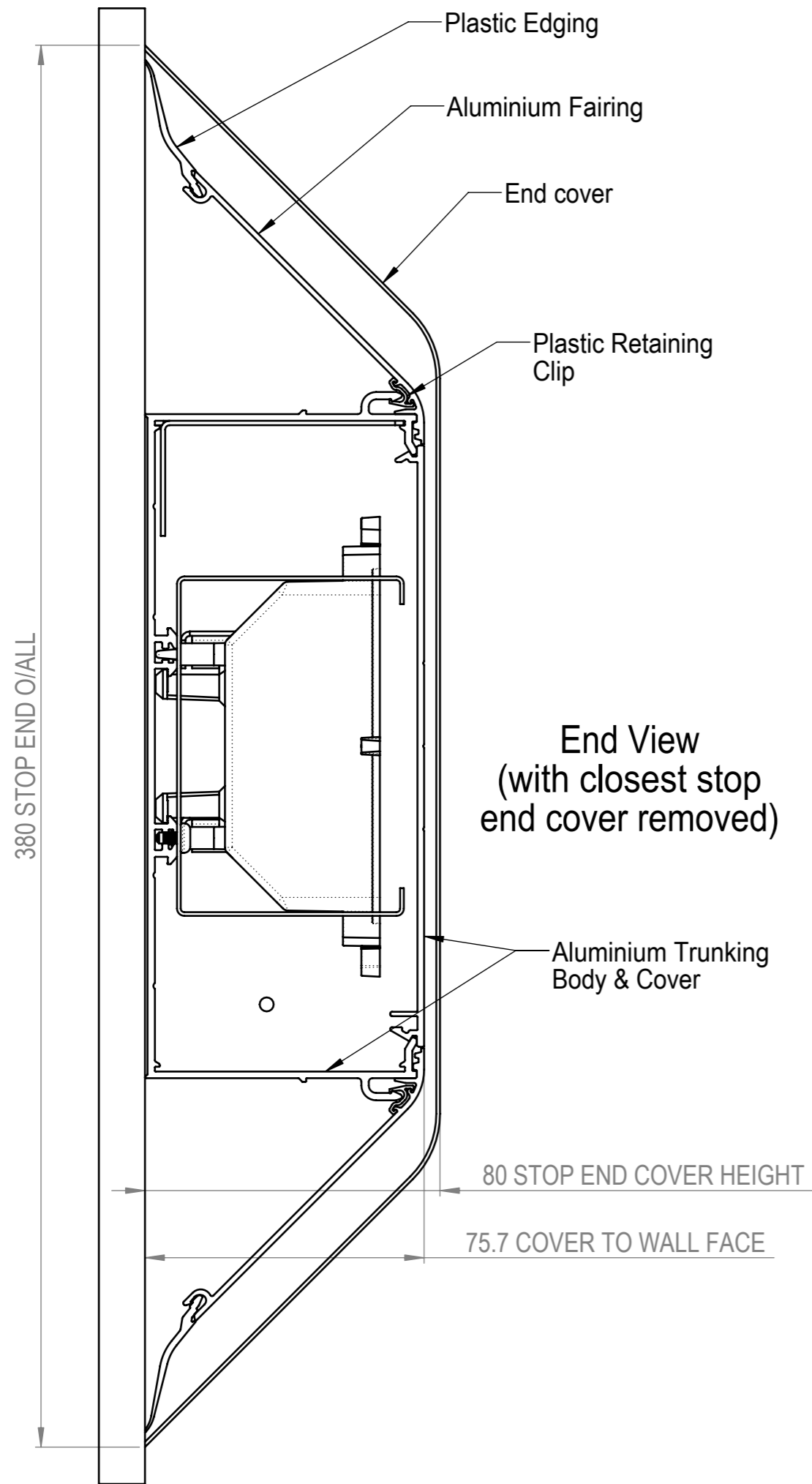
Broken Pictorial View



MODEMPAK MEDICAL SERVICES TRUNKING
 MSP180 x 75. SEMI RECESSED OPTION
 TYPICALLY WALL TO WALL MOUNTED.
 END STOPS QUOTED TO ORDER.



**MODEMPAK MEDICAL SERVICES TRUNKING
MSP180 x 75. RECESSED
(DUAL FAIRING FLUSH MOUNT OPTION)**



MODEMPAK MEDICAL SERVICES TRUNKING
MSP180 x 75. DUAL FAIRING
(SURFACE MOUNT OPTION)